

OM 160 EC

Woofer

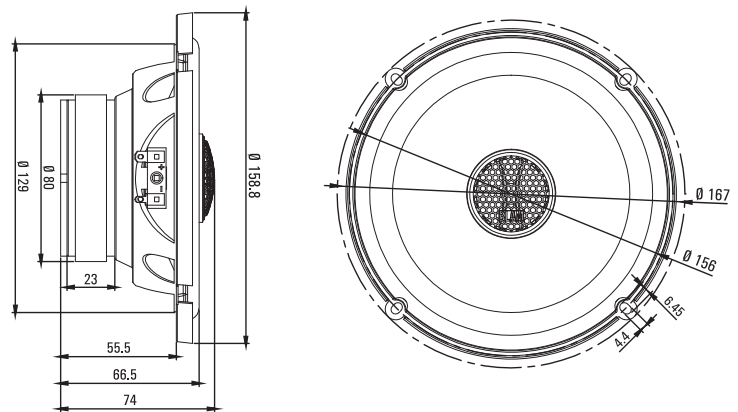
- Woofer 6-1/2" (165 mm)
- Max power 120 W / Nom. power 60 W
- Frequency response 70 Hz - 21 kHz
- Sensitivity 93 dB
- Impedance 2 Ohms

Specific basket in stamped steel - Treated and topolized cellulose pulp cone - Butyl rubber surround - Long life "Conex" damper - 25 mm (1") voice coil with kapton former - 80 mm x 15 mm (3,1" x 0,6") motor assembly (Y30)

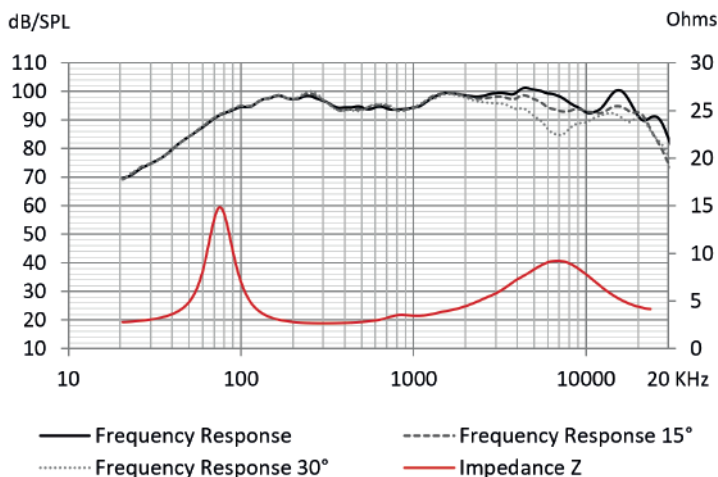


TECHNICAL SPECIFICATIONS

Component	Woofer	
Max power	120 W	
Nominal power	60 W	
Impedance	2 Ω	
Freq. Response	70,0 Hz - 21KHz	
Efficiency (2,83V/1m)	93 dB	
Magnet	Ferrite magnet	
Magnet size Ø x h	80 x 15 mm	3.150" x 0.591"
Total driver displacement	0.11	0.004 cf
Weight of one component	0.83 kg	1,830 lb
Voice coil Ø	25 mm	0,984"
Voice coil height	10,6 mm	0.417"
Cone	Cellulose pulp	



FREQUENCY RESPONSE / IMPEDANCE



THIELE-SMALL PARAMETERS

effective Ø (d)	125 mm
Sd	122,7 cm ²
Xmax	3,3 mm
Re	2.48 Ω
Fs	75,3 Hz
Le	465,00 µH @ 1 kHz
L2	5619,00 µH @10 kHz
Vas	10,02 L
Mms	9,52 g
Cms	0,469 m/N
BL	3,60 Tm
Qts	0,744
Qes	0,864
Qms	5,330
Sensitivity (dB/W/m)	89,01 dB