

# RELAX

Guy Bonneville

# BLAM

DRIVEN BY PASSION

## BM 100S

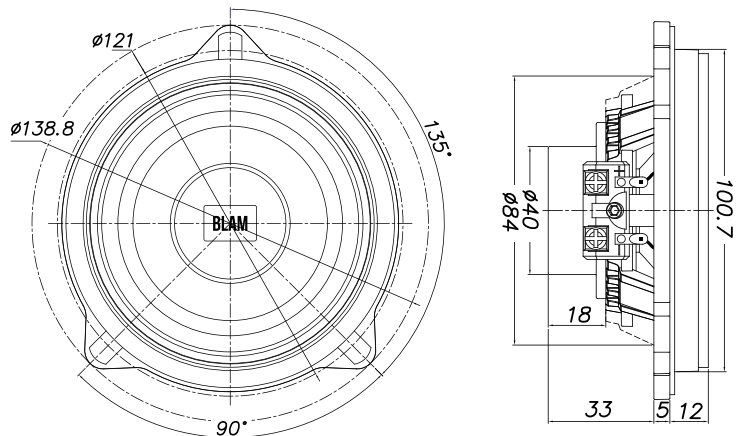
speaker

- 2 ways 100 mm (4") component
- System dedicated for BMW and Mini
- Max power 120 W - RMS power: 60 W
- Frequency response: 95 Hz – 11 kHz
- Sensitivity (2.83V/1m) 87 dB

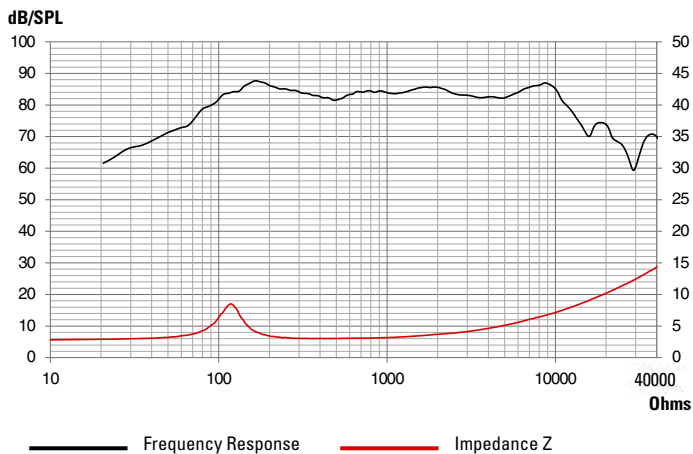


### TECHNICAL SPECIFICATIONS

<b>Component</b>	Speaker	
<b>Max power</b>	120 W	
<b>Nominal power</b>	60 W	
<b>Impedance</b>	4 Ω	
<b>Freq. Response</b>	100 Hz - 10 KHz	
<b>Sensitivity (2,83V/1m)</b>	88 dB	
<b>Magnet</b>	Neodymium	
<b>Magnet size Ø x h</b>	24,5 x 7 mm	0,965" x 0,276"
<b>Total driver displacement</b>	0,08 l	0,003 cf
<b>Weight of one component</b>	0,236 kg	0,520 lb
<b>Voice coil Ø</b>	25 mm	0,984"
<b>Voice coil height</b>	5 mm	0,197"
<b>Cone</b>	Glass fiber	



### FREQUENCY RESPONSE / IMPEDANCE



### THIELE-SMALL PARAMETERS

<b>effective Ø (d)</b>	83 mm
<b>Sd</b>	54,11 cm <sup>2</sup>
<b>Xmax</b>	1,00 mm
<b>Re</b>	3,0 Ω
<b>Fs</b>	116,99 Hz
<b>Le</b>	34,23 µH @ 1 kHz
<b>L2</b>	87,11 µH @10 kHz
<b>Vas</b>	1,17 L
<b>Mms</b>	6,52 g
<b>Cms</b>	0,000284 m/N
<b>BL</b>	2,87 Tm
<b>Qts</b>	1,13
<b>Qes</b>	1,75
<b>Qms</b>	3,20
<b>Sensitivity (dB/W/m)</b>	83,2 dB

contact@blam-audio.fr  
www.facebook.com/blamaudio  
www.blam-audio.fr