



**Integration
Reference
Installation Guide**

BMW

IR-BMW42W
IR-BMW42INT

Dear Customer,

Thank you for choosing Morel for your car audio speaker solution.

Morel prides itself on engineering and producing the best high-fidelity speaker systems.

We hope you enjoy your Integration Reference speakers for years to come.

If you have any questions, please contact your Morel dealer or Morel support at:

www.morelhifi.com

Components

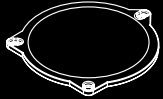
Component System



x2
Midwoofer



x2
Connecting Cable



x2
Gasket



x2
Adapter 1
(already mounted)



x2
Adapter 2



x2
Adapter 3



x2
Tweeter



x2
Mounting bracket



x2
Cable Splitter



x2
Woofer crossover



x2
Tweeter crossover

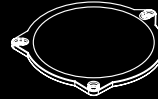
Integra System



x2
Coax



x2
Connecting Cable



x2
Gasket



x2
Adapter 1
(already mounted)

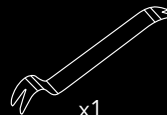


x2
Adapter 2

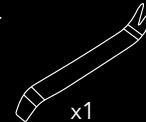


x2
Adapter 3

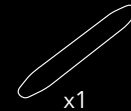
Installation tools



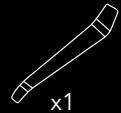
x1



x1



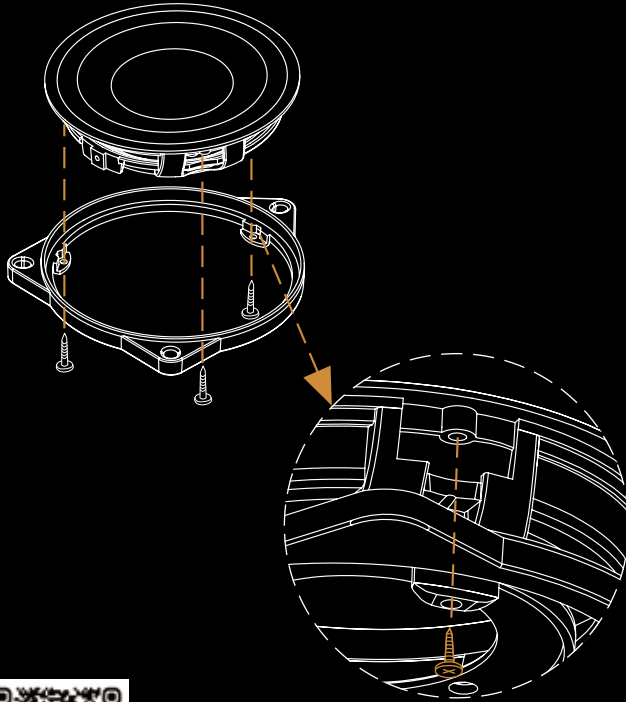
x1



x1

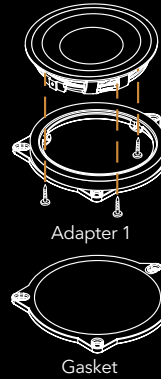
Component Midwoofer and Coax Adapter Assembly

Assembly Overview

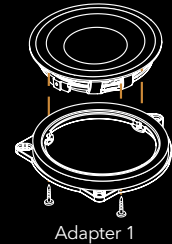


Scan for vehicle-specific compatibility information

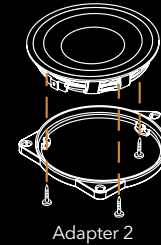
Configuration A



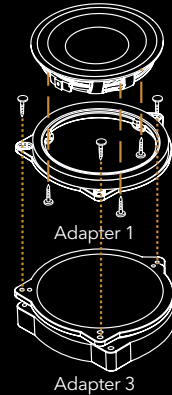
Configuration B



Configuration C

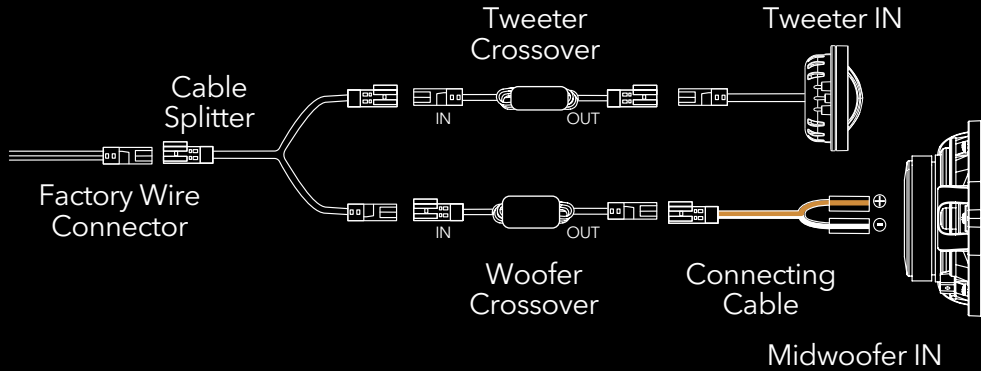


Configuration D

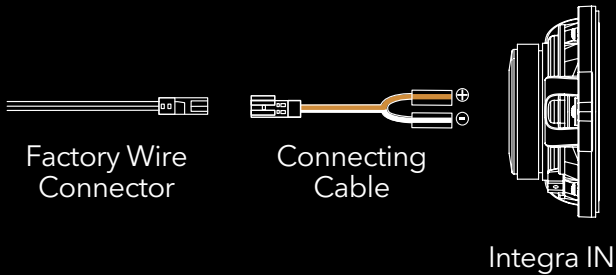


Speaker Connection

IR-BMW42 Component System

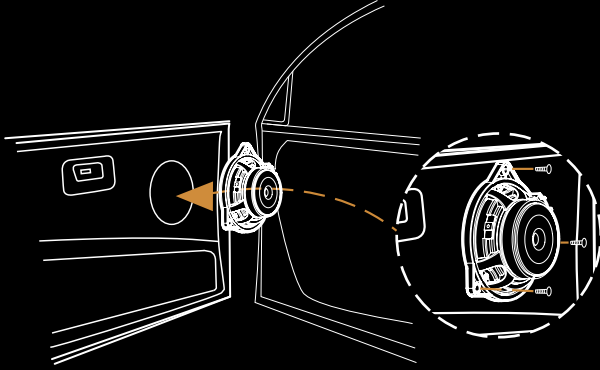


IR-BMW42INT Integra System

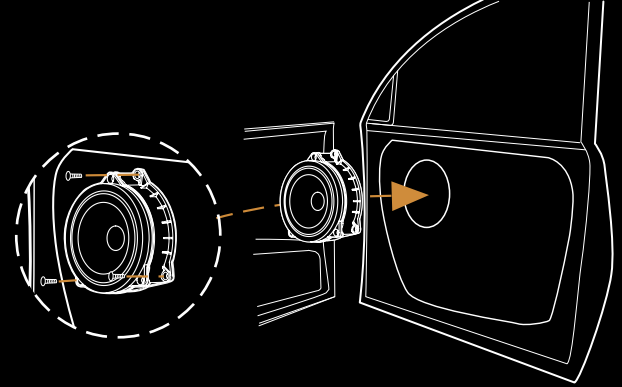


Woofers, Integra and Tweeter Installation

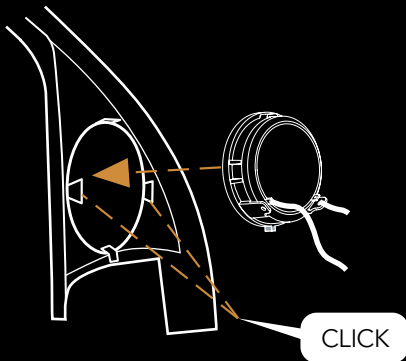
4" Woofer and Integra - Trim Installation



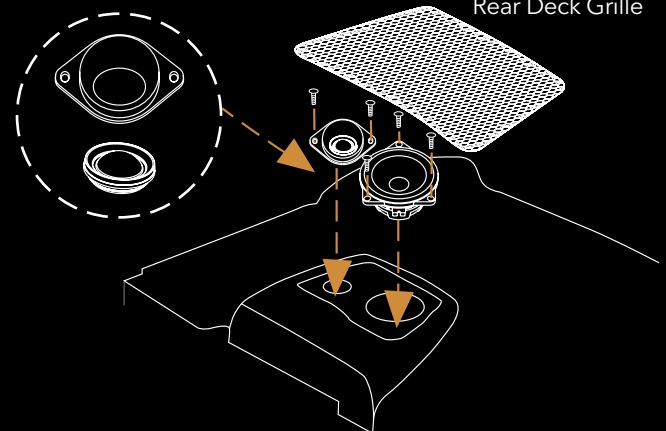
4" Woofer and Integra - Door Installation



Tweeter - Front Installation



Tweeter - Rear Deck Installation



Specifications

	MIDWOOFER	INTEGRA
Nominal Impedance (ohm)	4	4
Power Handling Wrms	100	80
Max. Trans. Pwr Handling Wrms	300	250
Sensitivity (2.83 V/1M) dB	92	90
Frequency response Hz	50-4200	80-20,000
Resonant Freq. Fs Hz	82	92
Voice Coil Diameter mm (inch)	54 (2.1)	54 (2.1)
DC Resistance (ohm)	2.8	3
Magnet System	Neodymium	Neodymium
HE-Magnetic Gap Height mm (inch)	4 (0.16)	4 (0.16)
B-Flux Density (T)	0.95	1
BL Product/BXL	5.1	4.3
Suspension Compliance CMS - mm/N	0.5	0.5
Electrical Q Factor QES	0.36	0.5
QTS	0.3	0.4
QMS	2.12	2.47
Mech. Resistance RMS- N * S / M	1.68	1.3
Moving Mass MMS - gr/ounce	6.4(0.22)	5.2(0.18)
Equiv. Can Air Load VAS - L (cu.ft)	2.2(0.07)	0.7 (0.02)
Effective Piston Area SD sq.cm (sq.inch)	55.4(8.58)	31.6 (4.9)
Cone Material	DPC	Composite cellular fiber
Unit Diameter mm(inch)	96.7 (3.8)	96.7 (3.8)
Net Wight Kg (lb)	0.35 (0.77)	0.37 (0.81)

* Morel operates a policy of continuous products design improvement, consequently specifications are subject to alteration without prior notice

	TWEETER	IR-BMW42
Nominal Impedance (ohm)		4
Power Handling Wrms		100
Max. Trans. Pwr Handling Wrms (10ms)		200
Sensitivity (2.83 V/1M) dB		91.5
Frequency Response Hz		1600-20000
FS Hz		900
Voice Coil Diameter mm (inch)		28 (1.1)
Voice Coil Wire		Aluminium
Magnet System		Neodymium Vented
Mounting Depth mm (inch)		20 (0.8)

CROSSOVERS	TWEETER	MIDWOOFER
Crossover Point	2700Hz/12dB (highpass)	2700Hz/12dB (lowpass)

Wishing you many years of sound enjoyment!



Morel, Ness Ziona, 70400 Israel.
Tel: +972-8-9301161
Fax: +972-8-9301312
E-mail: info@morelhifi.com

Morel America, Chandler, AZ, USA
Toll free number: 1-877-667-3511
Fax: 1-718-721-1560
E-mail: info@morelamerica.com

www.morelhifi.com



Scan for vehicle-specific
compatibility information