

- Pressed paper woofer
- Rubber surround
- 25 mm voice coil (woofer)
- 10 Oz ferrite magnet (woofer)
- Silk dome tweeter
- Neodymium magnet (tweeter)
- Power: 140 Watt Peak (70 Watt RMS)
- Sensitivity: 89 dB (2.83V/1M)
- Frequency Response: 60 - 22000 Hz
- Impedance: 4 Ohm



SPECIFICATIONS

Technical Characteristics	Symbol	Value	Units
SYSTEM GENERAL DATA			
Nominal Power Handling (AES)*	P	70	W
Transient Power *	Pp	140	W
Sensitivity 1W/1m	SPL	89	dB SPL
Frequency Response		60 - 22000	Hz
Nominal Impedance	Z	4	Ω
*Nominal and Transient power @ High Pass 80Hz - 12db/Oct			

WOOFER VOICE COIL AND MAGNET PARAMETERS

Voice Coil Diameter	Dia	25.5	mm
Magnet System		Ferite-Y25	
BL Product	BxL	4.1	Na

TWEETER VOICE COIL AND MAGNET PARAMETERS

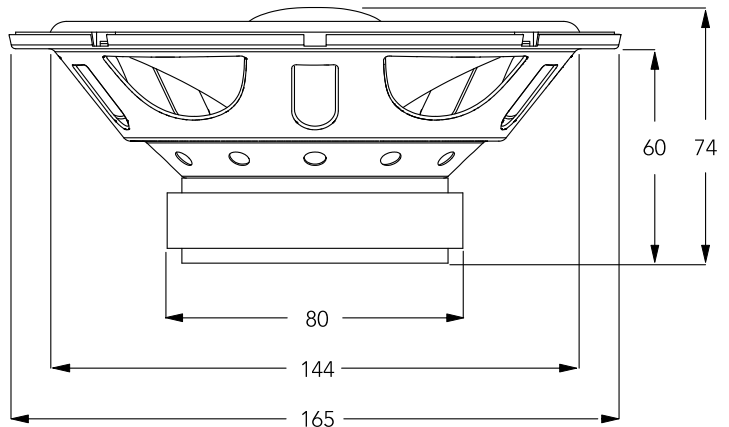
Voice Coil Diameter	Dia	25.4	mm
Magnet System		Neodymium N-35	

WOOFER T&S PARAMETERS

DC Resistance	Ω	3.3	Ω
Suspension Compliance	Cms	0.44	N/m
Mechanical Q Factor	Qms	4.21	
Electrical Q Factor	Qes	1.10	
Total Q Factor	Qts	0.87	
Moving Mass	Mms	14.1	g
Eq. Comp. Air Load	VAS	11.5	l
Resonance Frequency	Fs	64	Hz

TWEETER T&S PARAMETERS

DC Resistance	Ω	2.8	Ω
Resonance Frequency	Fs	1440	Hz



The 1.6C coaxial speaker, if used for the rear seats of the car, is the ideal complement to the 1.6K2X or 1.6K2 speaker systems

