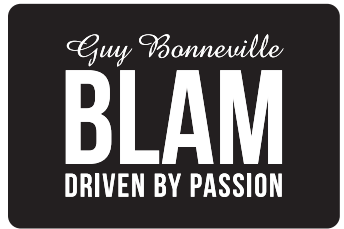


LIVE

LT 25

Tweeter

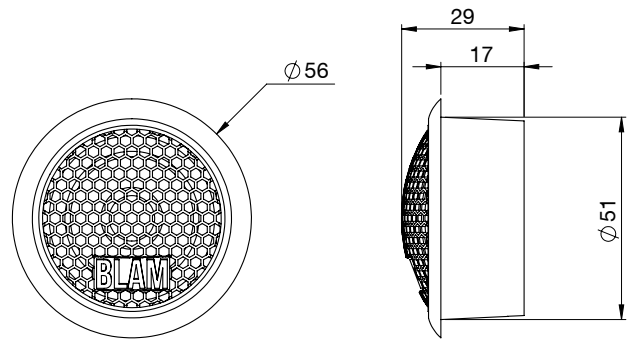
- 25 mm (1")
- High quality soft dome tweeter
- N38 neodymium motor



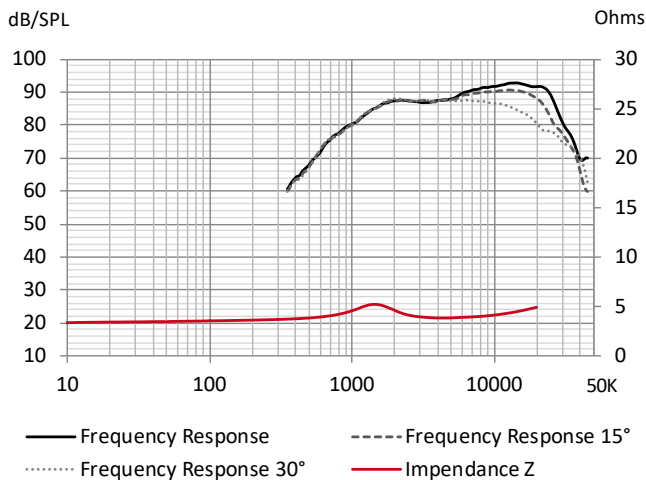
TECHNICAL SPECIFICATIONS

Component	Tweeter	
Max power	100 W	
Nominal power	15 W	
Impedance	3 Ω	
Freq. Response	2.5 KHz - 25 KHz	
Sensitivity (2,83V/1m)	91.6 dB	
Magnet	Neodymium	
Magnet size Ø x h	18 x 3 mm	0.709 "x 0.118 "
Total driver displacement	-	-
Weight of one component	0.096 kg	0.212 lb
Voice coil Ø	25 mm	0.984"
Voice coil height	2 mm	0.079"
Cone	Soft	

Unit : mm



FREQUENCY RESPONSE / IMPEDANCE



THIELE-SMALL PARAMETERS

effective Ø (d)	26 mm
Sd	5.31 cm ²
Xmax	-
Re	3.18 Ω
Fs	1501 Hz
Le	-
L2	-
Vas	-
Mms	-
Cms	-
BL	-
Qts	-
Qes	-
Qms	-
Sensitivity (dB/W/m)	87.6 dB

LIVE

Guy Bonneville

BLAM

DRIVEN BY PASSION

LW 200 P

Mid-Woofer

High power

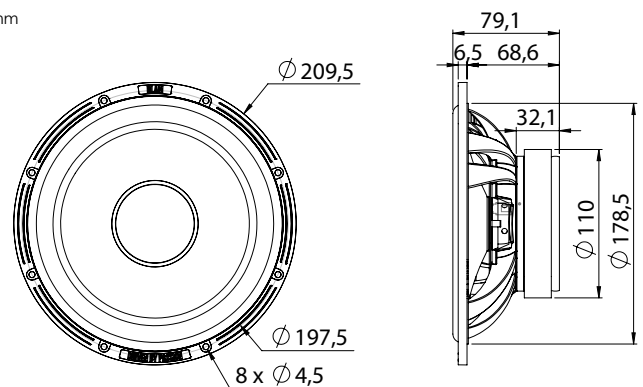
- Mid-Woofer 200mm (8")
- Max power 200 W / Nom. power 100 W
- Sensitivity (2.83V/1m) 93.5 dB
- Impedance 2 Ohms

TECHNICAL SPECIFICATIONS

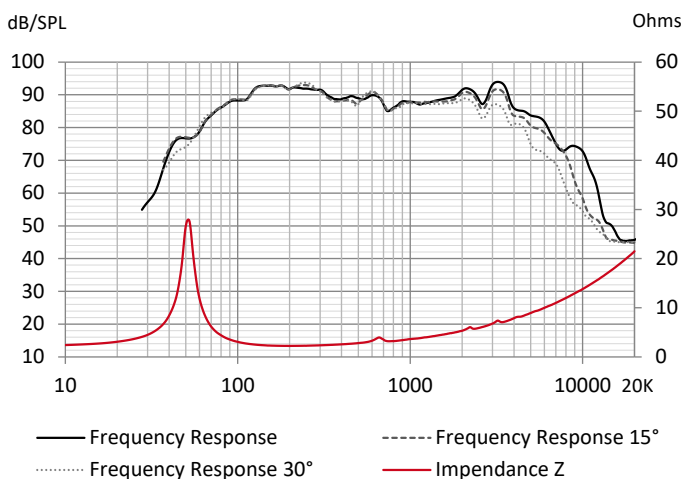
Component	Speakers	
Max power	200 W	
Nominal power	100 W	
Impedance	2 Ω	
Freq. Response	40 Hz - 4.7 KHz	
Sensitivity (2,83V/1m)	93.5 dB	
Magnet	Ferrite	
Magnet size Ø x h	110 x 20 mm	4.331" x 0.787"
Total driver displacement	0.8 l	0.028 cf
Weight of one component	1.88 kg	4.145 lb
Voice coil Ø	38 mm	1.494"
Voice coil height	13.2 mm	0.520"
Cone	Slender glass fiber	



Unit : mm



FREQUENCY RESPONSE / IMPEDANCE



THIELE-SMALL PARAMETERS

effective Ø (d)	165 mm
Sd	213.82 cm ²
Xmax	3 mm
Re	2.07 Ω
Fs	51.4 Hz
Le	132.41 µH @ 1 kHz
Le	352.29 µH @10 kHz
Vas	15.02 L
Mms	41 g
Cms	0.000233 m/N
BL	7.12 Tm
Qts	0.50
Qes	0.54
Qms	6.90
Sensitivity (dB/W/m)	87.6 dB

contact@blam-audio.fr

www.facebook.com/blamaudio

www.blam-audio.fr