

# Signature

Guy Bonneville

# BLAM

DRIVEN BY PASSION

## WS 6.300

### High power woofer

- Woofer 6-1/2" (165 mm)
- Max power 250 W / Nom. power 125 W
- Frequency response 50 Hz - 5 KHz
- Impedance 2 Ohms

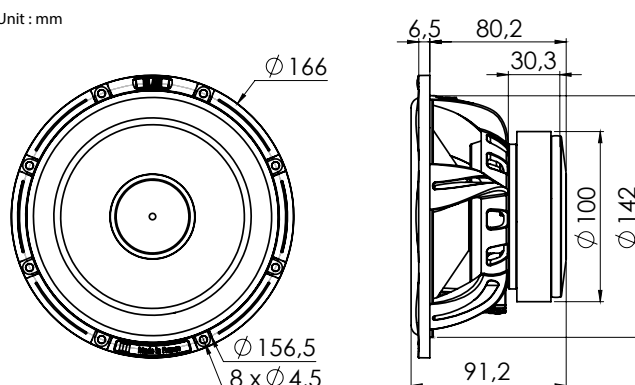
Die cast aluminium basket - Ultra rigid carbon fiber cone - NBR surround - Long life « conex » spider - 38 mm Voice Coil, fiber glass former - 100 mm x 20 mm Oversized Magnetic motor - Gold-plated terminal.



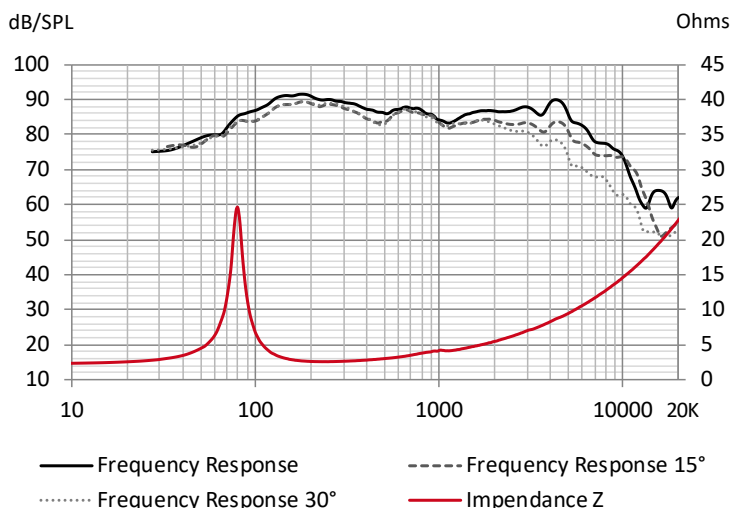
#### TECHNICAL SPECIFICATIONS

|                                  |               |                  |
|----------------------------------|---------------|------------------|
| <b>Component</b>                 | Woofer        |                  |
| <b>Max power</b>                 | 250 W         |                  |
| <b>Nominal power</b>             | 125 W         |                  |
| <b>Impedance</b>                 | 2 Ω           |                  |
| <b>Freq. Response</b>            | 50 Hz - 5 KHz |                  |
| <b>Sensitivity (2,83V/1m)</b>    | 93,2 dB       |                  |
| <b>Magnet</b>                    | Ferrite       |                  |
| <b>Magnet size Ø x h</b>         | 100 x 20 mm   | 3,937 "x 0,787 " |
| <b>Total driver displacement</b> | 0,3 l         | 0,011 cf         |
| <b>Weight of one component</b>   | 1,81 kg       | 2,756 lb         |
| <b>Voice coil Ø</b>              | 38 mm         | 1,496"           |
| <b>Voice coil height</b>         | 17 mm         | 0,669"           |
| <b>Cone</b>                      | Carbon fiber  |                  |

Unit : mm



#### FREQUENCY RESPONSE / IMPEDANCE



#### THIELE-SMALL PARAMETERS

|                             |                        |
|-----------------------------|------------------------|
| <b>effective Ø (d)</b>      | 128 mm                 |
| <b>Sd</b>                   | 128,68 cm <sup>2</sup> |
| <b>Xmax</b>                 | 6 mm                   |
| <b>Re</b>                   | 2,1 Ω                  |
| <b>Fs</b>                   | 79,43 Hz               |
| <b>Le</b>                   | 117,05 µH @ 1 kHz      |
| <b>Le</b>                   | 285,19 µH @10 kHz      |
| <b>Vas</b>                  | 6,6 L                  |
| <b>Mms</b>                  | 14,16 g                |
| <b>Cms</b>                  | 0,000284 m/N           |
| <b>BL</b>                   | 4,59 Tm                |
| <b>Qts</b>                  | 0,74                   |
| <b>Qes</b>                  | 0,81                   |
| <b>Q0ms</b>                 | 7,86                   |
| <b>Sensitivity (dB/W/m)</b> | 87,4 dB                |