

Signature

Guy Bonneville

BLAM

DRIVEN BY PASSION

MS 4N24

Extended frequency speaker

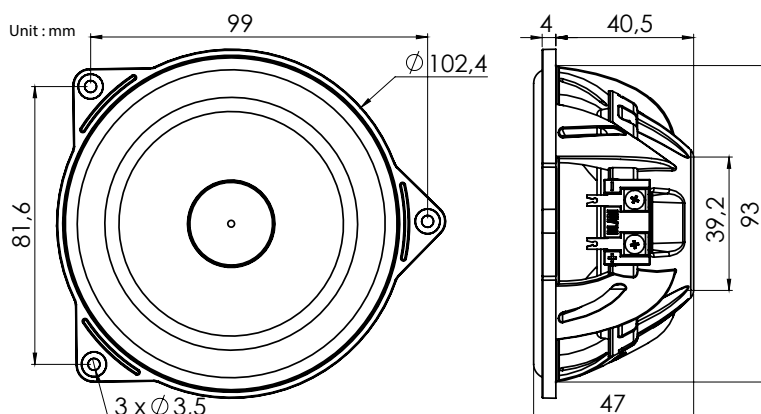
- Full-range driver 4" (100mm)
- Max. power: 120 W / Nom. power: 60 W
- Frequency response 95 Hz - 9 KHz
- Impedance 3 Ohms

Die cast aluminum Basket - Ultra rigid carbon fiber cone - IIR surround - Long life "conex" spider - 25 mm Voice Coil, fiber glass former - High grade neodymium magnet, precision machined pole piece and T yoke.

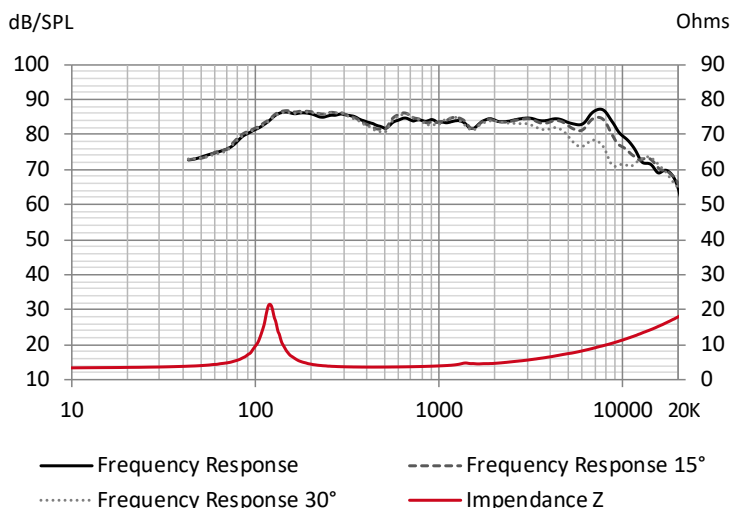


TECHNICAL SPECIFICATIONS

Component	Midrange	
Max power	120 W	
Nominal power	60 W	
Impedance	3 Ω	
Freq. Response	95 Hz - 9 KHz	
Sensitivity (2,83V/1m)	88 dB	
Magnet	Neodymium	
Magnet size Ø x h	24 x 11 mm	0,945" x 0,433 "
Total driver displacement	0,08 l	0,003 cf
Weight of one component	0,231 kg	0,509 lb
Voice coil Ø	25 mm	0,984"
Voice coil height	8,5 mm	0,335"
Cone	Carbon fiber	



FREQUENCY RESPONSE / IMPEDANCE



THIELE-SMALL PARAMETERS

effective Ø (d)	83 mm
Sd	54,11 cm ²
Xmax	2,8 mm
Re	3,2 Ω
Fs	119,72 Hz
Le	91,62 µH @1 kHz
L2	158,85 µH @10 kHz
Vas	1,05 L
Mms	6,90 g
Cms	0,000256 m/N
BL	3,78 Tm
Qts	0,98
Qes	1,16
Qms	6,17
Sensitivity (dB/W/m)	83,5 dB

contact@blam-audio.fr
www.facebook.com/blamaudio
www.blam-audio.com