

Signature

Guy Bonneville

BLAM

DRIVEN BY PASSION

MS 3.55

High-efficiency midrange driver

- Extended frequency, can be use as full range
- Frequency Response 200 Hz - 27 KHz

Recommended enclosure

0,3 litres

1,9 litres

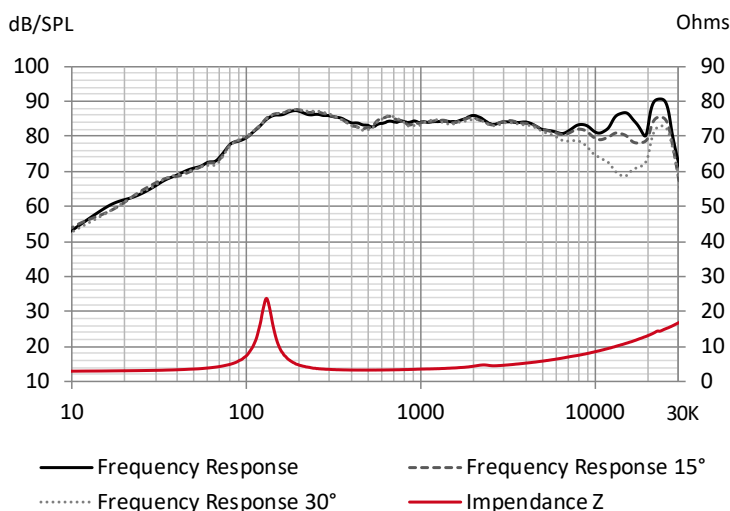
Die cast aluminium basket - Ultra rigid carbon fiber cone - NBR surround - Long life « conex » spider - 20 mm Voice Coil, fiber glass former - 55 mm x 10 mm Oversized Magnetic motor - Machined aluminum phase plug - Gold-plated terminal.



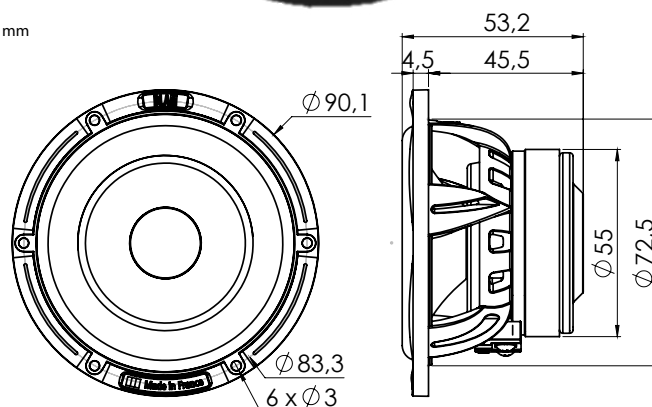
TECHNICAL SPECIFICATIONS

Component	Midrange	
Max power	100 W	
Nominal power	25 W	
Impedance	3 Ω	
Freq. Response	200 Hz - 27 KHz	
Sensitivity (2,83V/1m)	88 dB	
Magnet	Ferrite	
Magnet size Ø x h	55 x 10 mm	2,165" x 0,394"
Total driver displacement	0,060 l	0,002 cf
Weight of one component	0,326 kg	0,723 lb
Voice coil Ø	20 mm	0,787"
Voice coil height	6 mm	0,236"
Cone	Carbon fiber	

FREQUENCY RESPONSE / IMPEDANCE



Unit : mm



THIELE-SMALL PARAMETERS

effective Ø (d)	61 mm
Sd	29,22 cm ²
Xmax	1 mm
Re	3 Ω
Fs	129,93 Hz
Le	58,18 µH @ 1 kHz
LZ	134,68 µH @10 kHz
Vas	0,80 L
Mms	2,24 g
Cms	0,000671 m/N
BL	2,40 Tm
Qts	0,89
Qes	1,04
Qms	6,41
Sensitivity (dB/W/m)	83,8 dB

RECOMMENDED ENCLOSURES

Internal volume Vb	Resonance frequency	Qtc	F-3dB	Boost
0,3 L	248	1,713	171 Hz	5,0 dB at 270 Hz
1,9 L	155	1,067	119 Hz	1.6 dB at 207 Hz

contact@blam-audio.fr
www.facebook.com/blamaudio
www.blam-audio.com