

LIVE

LW 200 P

Mid-Woofer

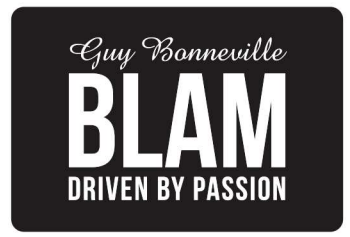
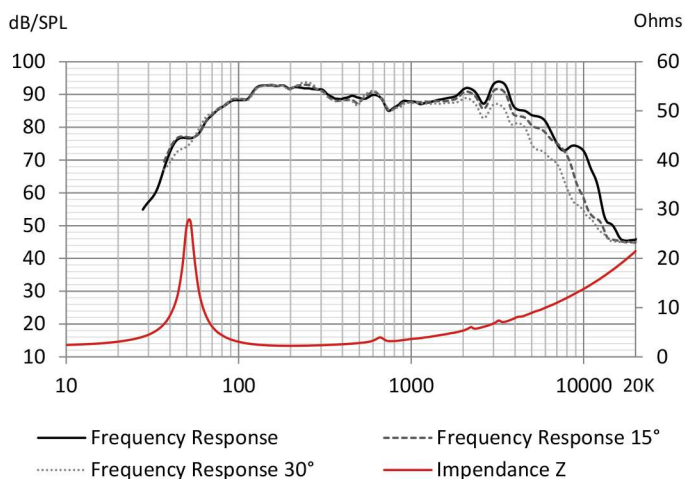
High power

- Mid-Woofer 200mm (8")
- Max power 200 W / Nom. power 100 W
- Sensitivity (2.83V/1m) 93.5 dB
- Impedance 2 Ohms

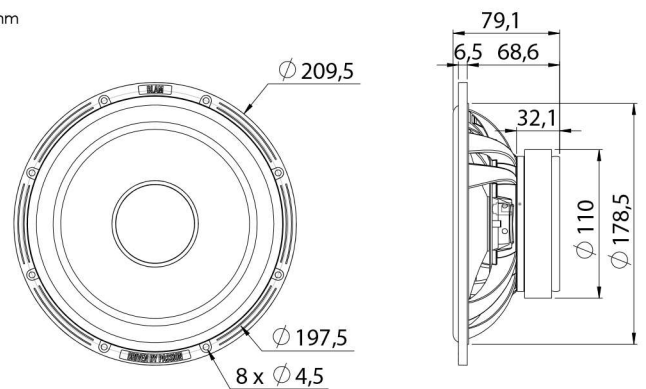
TECHNICAL SPECIFICATIONS

Component	Speakers	
Max power	200 W	
Nominal power	100 W	
Impedance	2 Ω	
Freq. Response	40 Hz - 4.7 KHz	
Sensitivity (2,83V/1m)	93.5 dB	
Magnet	Ferrite	
Magnet size Ø x h	110 x 20 mm	4.331" x 0.787"
Total driver displacement	0.8 l	0.028 cf
Weight of one component	1.88 kg	4.145 lb
Voice coil Ø	38 mm	1.494"
Voice coil height	13.2 mm	0.520"
Cone	Slender glass fiber	

FREQUENCY RESPONSE / IMPEDANCE



Unit : mm



THIELE-SMALL PARAMETERS

effective Ø (d)	165 mm
Sd	213.82 cm ²
X _{max}	3 mm
R _e	2.07 Ω
F _s	51.4 Hz
L _e	132.41 µH @ 1 kHz
L _e	352.29 µH @10 kHz
V _{as}	15.02 L
M _{ms}	41 g
C _{ms}	0.000233 m/N
BL	7.12 Tm
Q _{ts}	0.50
Q _{es}	0.54
Q _{ms}	6.90
Sensitivity (dB/W/m)	87.6 dB