

165 ES

Woofer

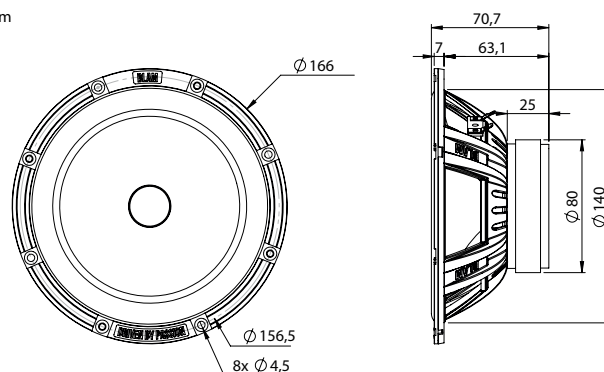
- Woofer 6-1/2" (165 mm)
- Max power 120 W / Nom. power 60 W
- Frequency response 65 Hz - 8 KHz
- Sensibility 93,3 dB
- Impedance 2 Ohms

TECHNICAL SPECIFICATIONS

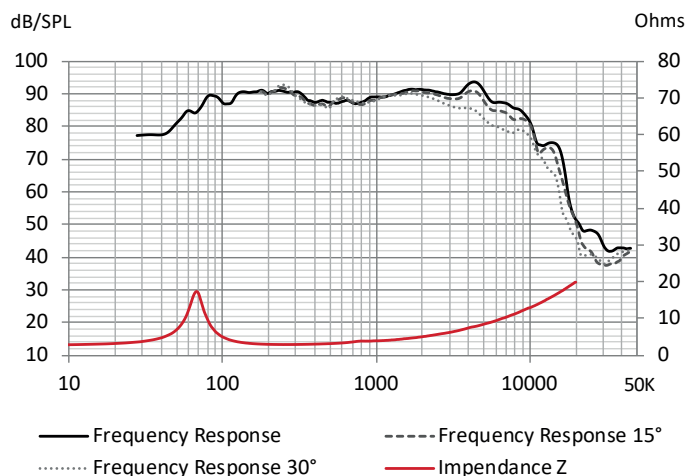
Component	Speakers	
Max power	120 W	
Nominal power	60 W	
Impedance	2 Ω	
Freq. Response	65 Hz - 8 KHz	
Sensitivity (2,83V/1m)	93.3 dB	
Magnet	Ferrite	
Magnet size Ø x h	80 x 15 mm	3.150" x 0.591"
Total driver displacement	0.2 l	0.007 cf
Weight of one component	0.86 kg	1.896 lb
Voice coil Ø	25 mm	0.984"
Voice coil height	10.6 mm	0.417"
Cone	Cellulose pulp	



Unit : mm



FREQUENCY RESPONSE / IMPEDANCE



THIELE-SMALL PARAMETERS

effective Ø (d)	130 mm
Sd	132.73 cm ²
Xmax	2.8 mm
Re	2.5 Ω
Fs	67.66 Hz
Le	122.49 µH @ 1 kHz
L2	266.16 µH @10 kHz
Vas	11.02 L
Mms	12.42 g
Cms	0.000445 m/N
BL	4.18 Tm
Qts	0.67
Qes	0.78
Qms	4.52
Sensitivity (dB/W/m)	88.3 dB

ET 20

Tweeter

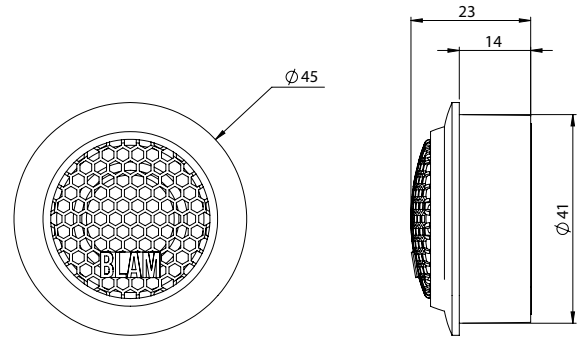
- Hi fidelity 20 mm soft dôme tweeter
- Hi efficiency magnet (N38 neodymium)
- HI quality special soft dôme material
- Ferrofluid for hi power handling

TECHNICAL SPECIFICATIONS

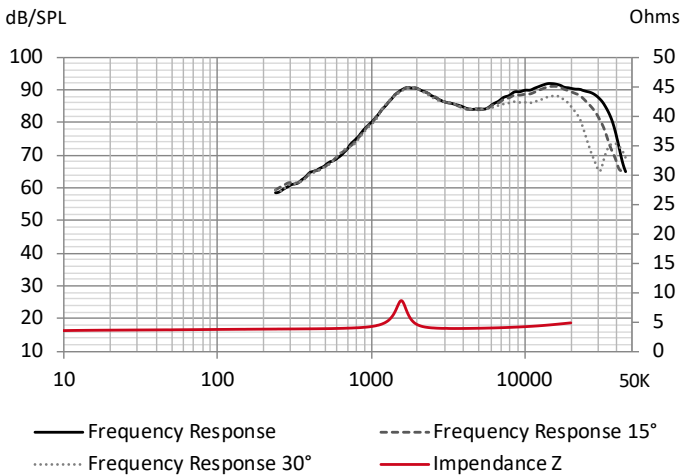
Component	Tweeter	
Max power	100 W	
Nominal power	10 W	
Impedance	3 Ω	
Freq. Response	2.5 KHz - 31 KHz	
Sensitivity (2,83V/1m)	90 dB	
Magnet	Neodymium	
Magnet size Ø x h	18 x 3 mm	0.709" x 0.118"
Total driver displacement	-	-
Weight of one component	0.045 kg	0.099 lb
Voice coil Ø	20 mm	0.787"
Voice coil height	1.5 mm	0.059"
Dome	Soft	



Unit : mm



FREQUENCY RESPONSE / IMPEDANCE



THIELE-SMALL PARAMETERS

effective Ø (d)	22 mm
Sd	3.80 cm ²
Xmax	-
Re	3.52 Ω
Fs	1589 Hz
Le	-
L2	-
Vas	-
Mms	-
Cms	-
BL	-
Qts	-
Qes	-
Qms	-
Sensitivity (dB/W/m)	86.4 dB