

TSM 25 Mg 70

HIGH RESOLUTION TWEETER

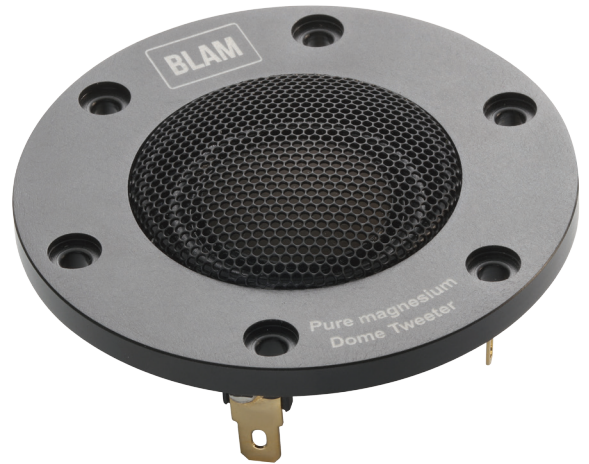
- 25mm (1") Pur Magnesium dome tweeter
- High efficiency neodymium magnet N48H
- High precision Machined Aluminium front plate
- Sound transparent protective grill
- Low resonance rear chamber

Made in France

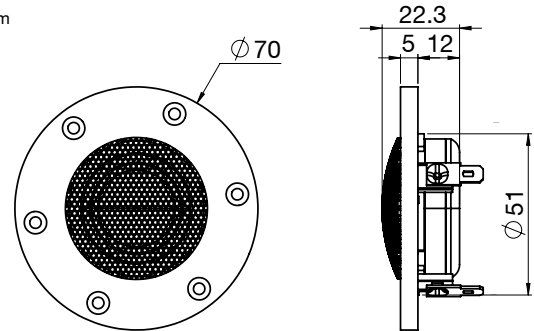
Available in two colors : black and gold
Extended frequency up to 43KHz

TECHNICAL SPECIFICATIONS

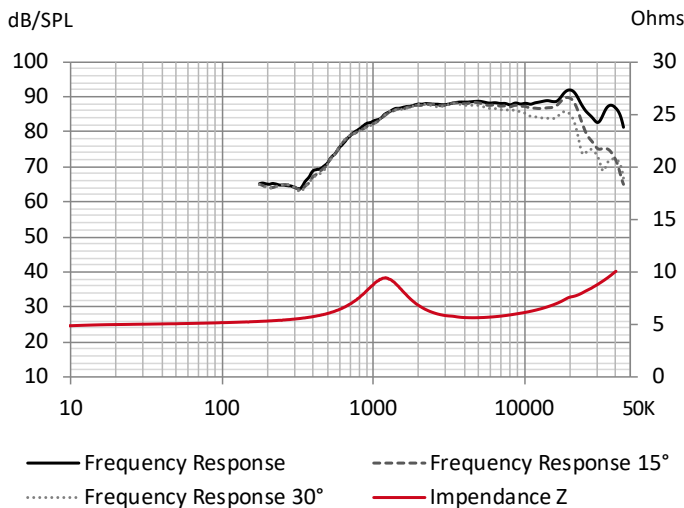
Component	Tweeter	
Max power	100 W	
Nominal power	15 W	
Impedance	5 Ω	
Freq. Response	1.18 KHz - 43 KHz	
Sensitivity (2,83V/1m)	89.8 dB	
Magnet	Neodymium	
Magnet size Ø x h	40 x 6 mm	1.575" x 0.236"
Total driver displacement	-	-
Weight of one component	0.15 kg	0.331 lb
Voice coil Ø	25 mm	0.984"
Voice coil height	1.8 mm	0.071"
Dome	Magnesium	



Unit : mm



FREQUENCY RESPONSE / IMPEDANCE



THIELE-SMALL PARAMETERS

Effective Ø (d)	32 mm
Sd	8.04 cm ²
Xmax	-
Re	5 Ω
Fs	1207 Hz
Le	-
L2	-
Vas	-
Mms	-
Cms	-
BL	-
Qts	-
Qes	-
Qms	-
Sensitivity (dB/W/m)	87.8 dB