

# LIVE

## FR 80

### Speaker

- Extended frequency response  
Full-range driver 3" (80mm)
- Max. power: 100 W / Nom. power: 25 W
- Frequency response 200 Hz - 35 KHz
- Impedance 3 Ohms

ABS PC Basket - Ultra rigid carbon fiber cone - IIR surround - Long life "conex" spider - 20mm Voice Coil, fiber glass former - Oversized neodymium ring Magnetic motor - T Yoke equipped with a copper ring which limits the creation of Foucault currents - Aluminum magnesium dust cap - Products matched to + -1 dB

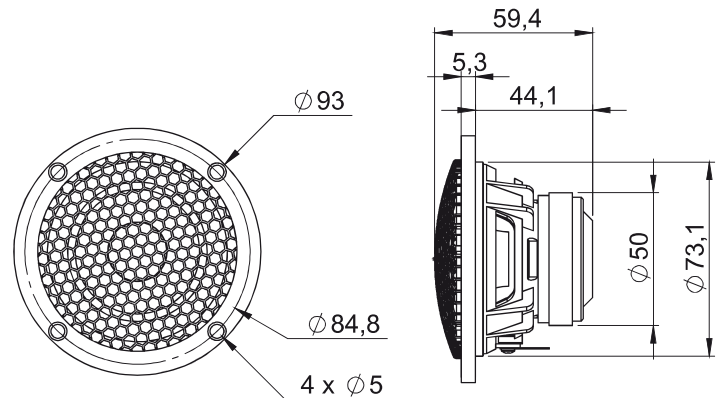
Guy Bonneville

**BLAM**  
DRIVEN BY PASSION

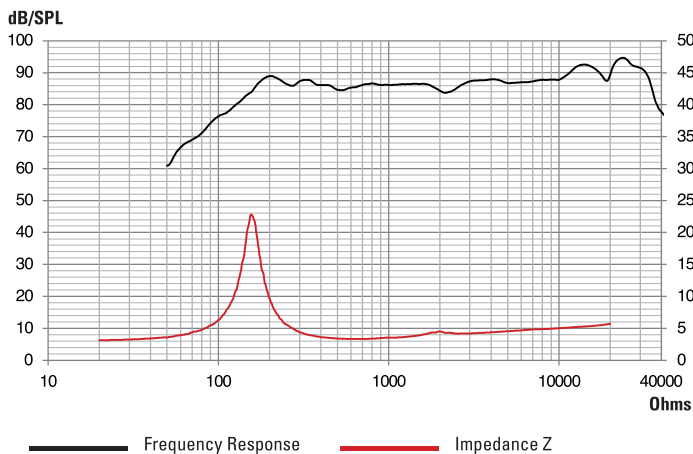


#### TECHNICAL SPECIFICATIONS

<b>Component</b>	Woofer	
<b>Max power</b>	100 W	
<b>Nominal power</b>	25 W	
<b>Impedance</b>	3 Ω	
<b>Freq. Response</b>	200 Hz -35 KHz	
<b>Sensitivity (2,83V/1m)</b>	92 dB	
<b>Magnet</b>	Neodymium	
<b>Magnet size Ø x h</b>	50 x 9 mm	1,969" x 0,354 "
<b>Total driver displacement</b>	0,0527 l	0,002 cf
<b>Weight of one component</b>	0,255 kg	0,562 lb
<b>Voice coil Ø</b>	20 mm	0,787"
<b>Voice coil height</b>	6 mm	0,236"
<b>Cone</b>	Carbone fiber	



#### FREQUENCY RESPONSE / IMPEDANCE



#### THIELE-SMALL PARAMETERS

<b>effective Ø (d)</b>	61 mm
<b>Sd</b>	29,22 cm <sup>2</sup>
<b>Xmax</b>	1,00 mm
<b>Re</b>	3 Ω
<b>Fs</b>	157,27 Hz
<b>Le</b>	18,06 kHz
<b>L2</b>	127,56 µH @10 kHz
<b>Vas</b>	0,67 L
<b>Mms</b>	1,82 g
<b>Cms</b>	0,000562 m/N
<b>BL</b>	2,86 Tm
<b>Qts</b>	0,57
<b>Qes</b>	0,66
<b>Qms</b>	4,35
<b>Sensitivity (dB/W/m)</b>	87,8 dB

contact@blam-audio.fr  
www.facebook.com/blamaudio  
www.blam-audio.fr