

RELAX

200 RS

Woofer

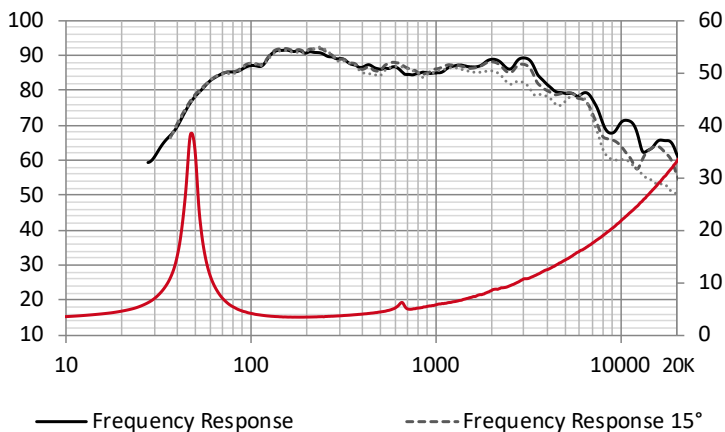
Hi-Efficiency 200 mm (8'')
Woofer shallow special replacement of OEM speaker

- Woofer 200mm (8'')
- Max power 200 W / Nom. power 100 W
- Sensitivity (2.83V/1m) 92.4 dB
- Impedance 3 Ohms

TECHNICAL SPECIFICATIONS

Component	Speakers	
Max power	200 W	
Nominal power	100 W	
Impedance	3 Ω	
Freq. Response	50 Hz - 3.5 KHz	
Sensitivity (2,83V/1m)	92.4 dB	
Magnet	Ferrite	
Magnet size Ø x h	80 x 15 mm	3.15" x 0.591"
Total driver displacement	0.8 l	0.028 cf
Weight of one component	1.81 kg	3.990 lb
Voice coil Ø	28 mm	1.102"
Voice coil height	11 mm	0.433"
Cone	Cellulose pulp	

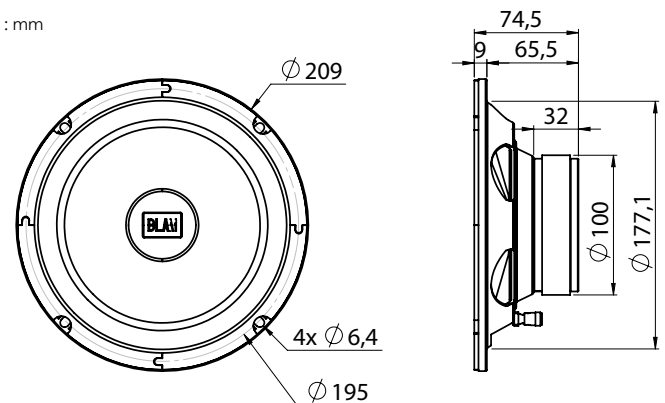
FREQUENCY RESPONSE / IMPEDANCE



Guy Bonneville
BLAM
DRIVEN BY PASSION



Unit : mm



THIELE-SMALL PARAMETERS

effective Ø (d)	165 mm
Sd	213.82 cm ²
Xmax	3 mm
Re	3 Ω
Fs	47.85 Hz
Le	152.32 µH @ 1 kHz
Le	450.47 µH @10 kHz
Vas	23.14 L
Mms	30.70 g
Cms	0.000360 m/N
BL	6.90 Tm
Qts	0.54
Qes	0.59
Qms	7.02
Sensitivity (dB/W/m)	88.2 dB

contact@blam-audio.fr
www.facebook.com/blamaudio
www.blam-audio.fr

RELAX

Guy Bonneville

BLAM

DRIVEN BY PASSION

RT 25

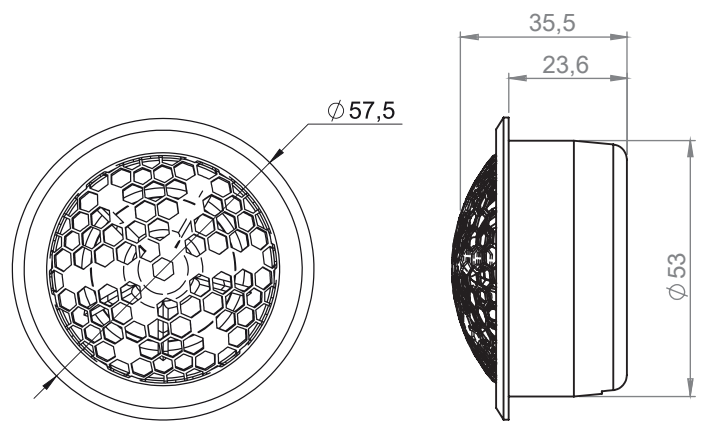
Tweeter

- Hi fidelity 25 mm soft dôme tweeter
- Hi efficiency neodymium magnet
- Hi quality special soft dome material
- Ferrofluid for hi power handling

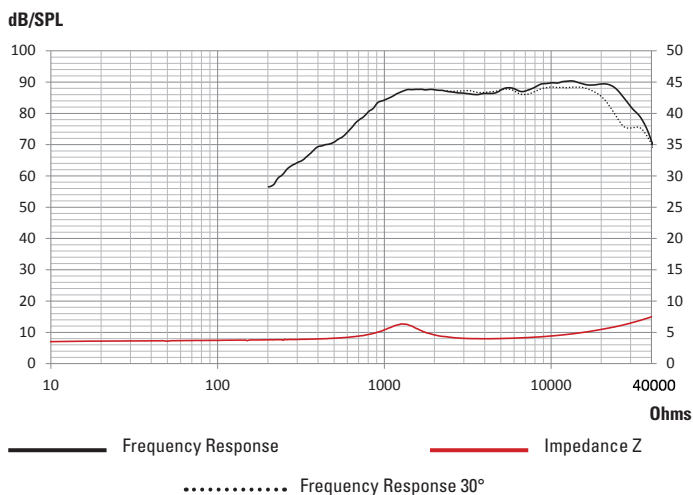


TECHNICAL SPECIFICATIONS

Component	Tweeter	
Max power	100 W	
Nominal power	15 W	
Impedance	3 Ω	
Freq. Response	2,5 KHz - 25 KHz	
Sensitivity (2,83V/1m)	90 dB	
Magnet	Neodymium	
Magnet size Ø x h	18 x 3 mm	0,709" x 0,118"
Total driver displacement	-	-
Weight of one component	0,096 kg	0,212 lb
Voice coil Ø	25 mm	0,984"
Voice coil height	2 mm	0,079"
Cone	Soft	



FREQUENCY RESPONSE / IMPEDANCE



THIELE-SMALL PARAMETERS

effective Ø (d)	26 mm
Sd	5,31 cm ²
Xmax	-
Re	3 Ω
Fs	1322 Hz
Le	-
L2	-
Vas	-
Mms	-
Cms	-
BL	-
Qts	-
Qes	-
Qms	-
Sensitivity (dB/W/m)	86,4 dB