

RELAX

Guy Bonneville

BLAM

DRIVEN BY PASSION

BM 200W

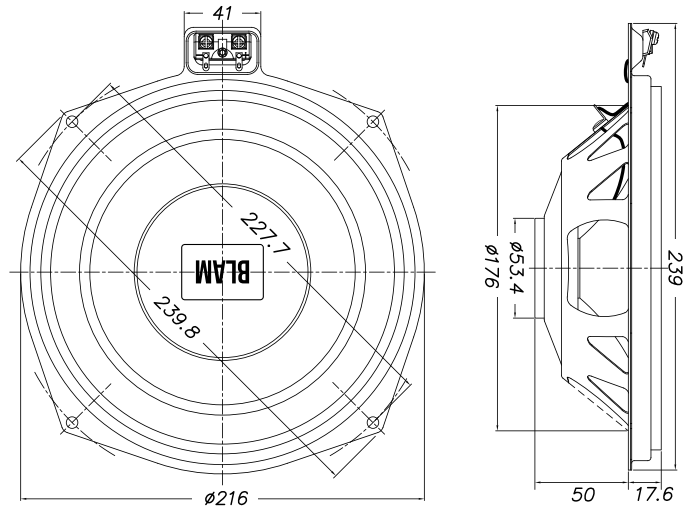
speaker

- 200 mm 8" hi-performance dedicated subwoofer for BMW
- Max power 120 W - RMS power: 60 W
- Frequency response: 40 Hz – 500 Hz
- Sensitivity (2.83V/1m) 90 dB

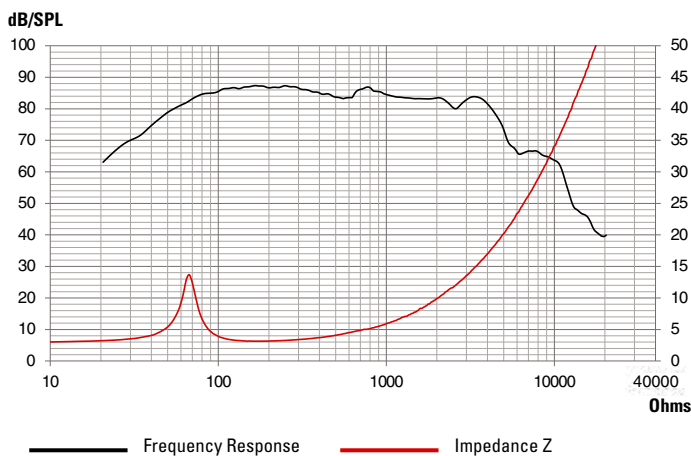


TECHNICAL SPECIFICATIONS

Component	Speaker	
Max power	120 W	
Nominal power	60 W	
Impedance	4 Ω	
Freq. Response	40 Hz - 500 Hz	
Sensitivity (2,83V/1m)	90 dB	
Magnet	Neodymium	
Magnet size Ø x h	31,4 x 10 mm	1,236 " x 0,394 "
Total driver displacement	0,6 l	0,003 cf
Weight of one component	0,565 kg	0,520 lb
Voice coil Ø	32 mm	1,260"
Voice coil height	8 mm	0,315"
Cone	Glass fiber	



FREQUENCY RESPONSE / IMPEDANCE



THIELE-SMALL PARAMETERS

effective Ø (d)	166 mm
Sd	216,42 cm ²
Xmax	-
Re	3,0 Ω
Fs	67,31 Hz
Le	224,82 µH @ 1 kHz
L2	520,24 µH @10 kHz
Vas	11,30 L
Mms	32,54 g
Cms	0,000172 m/N
BL	5,51 Tm
Qts	1,06
Qes	1,36
Qms	4,85
Sensitivity (dB/W/m)	85,9 dB